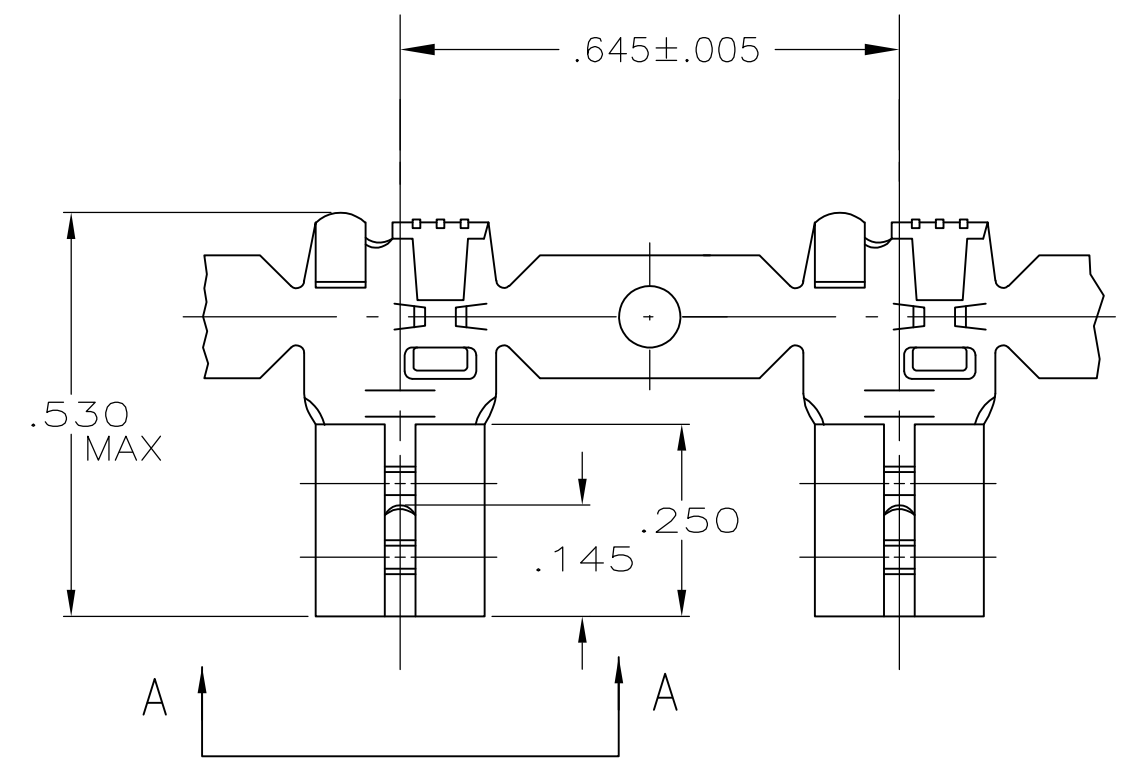
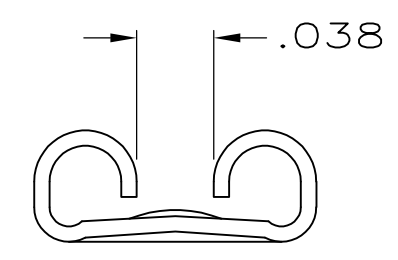


THIS DRAWING IS UNPUBLISHED. RELEASED FOR PUBLICATION
 © COPYRIGHT - By - ALL RIGHTS RESERVED.

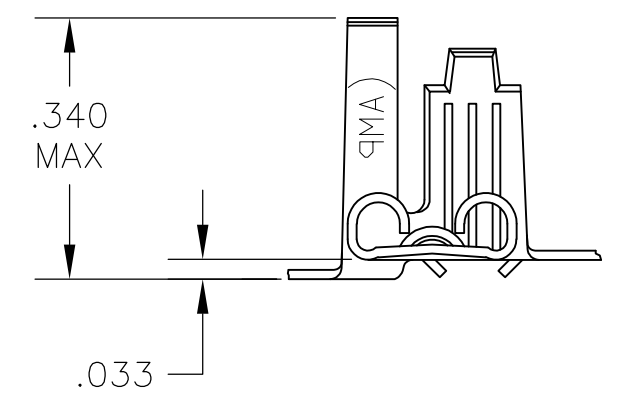
LOC	DIST	REVISIONS			
P	LTR	DESCRIPTION	DATE	DWN	APVD
AF	50	P			
		P	REVISED PER ECR-12-013445	18OCT12	KH PD



- 1 CONTINUOUS STRIP ON REELS.
- 2 WIRE SIZE IS #20-#16 AWG
- 3 INSULATION RANGE IS .110-.170 DIA
- 4 MATING TAB THK IS .020±.001



VIEW A-A



SILVER	BRASS	42486-4
NICKEL	.012 STEEL	42486-3
TIN	BRASS	42486-2
---	BRASS	42486-1
FINISH	MATERIAL	PART NO.

THIS DRAWING IS A CONTROLLED DOCUMENT.		DWN JR RUTH 2/7/86	TE Connectivity RECEPTACLE, FASTON, FLAG, .187 SERIES					
DIMENSIONS: INCHES		CHK G YETTER 2/7/86				NAME		
		APVD R KUZO 2/7/86				PRODUCT SPEC		
TOLERANCES UNLESS OTHERWISE SPECIFIED:		APPLICATION SPEC						
MATERIAL SEE TABLE		FINISH SEE TABLE		WEIGHT -	SIZE A3	CAGE CODE 00779	DRAWING NO C-42486	RESTRICTED TO -
CUSTOMER DRAWING				SCALE 4:1	SHEET 1 OF 1	REV P		